

raumplus SPECIFICATION SHEET - Sliding Door - S1200_T_SDB, 42-Series

JOB NO:
PROJECT:
LOCATION:


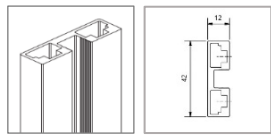
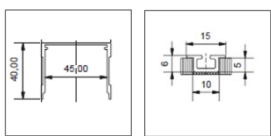
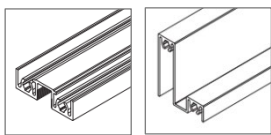
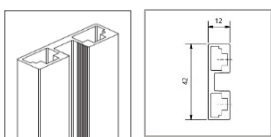
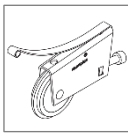
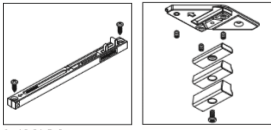
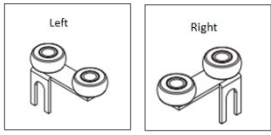
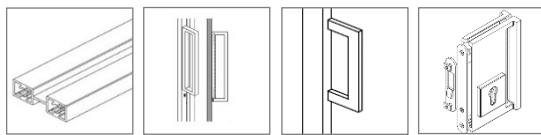
DATE:
VERSION:
CODE:

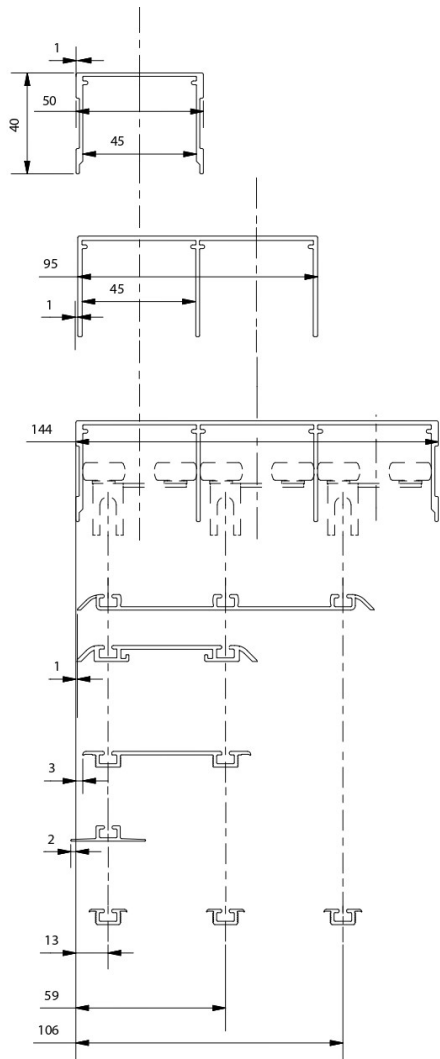
MODEL NO.:	S1200_T_SDB	SUPPLIER:	iLiving Co Ltd
BRAND:	raumplus GMBH	CONTACT:	Mr Michael Fung
DESCRIPTION:	S1200_T_SDB	PHONE:	(852) 2832-7878
FINISH:	anodised aluminum / light bronze / black matt powder coat	EMAIL_1:	michaelfung@iLiving.hk
COLOUR:	alu silver / bronze / black matt	EMAIL_2:	project.iLiving@gmail.com
ORIGIN:	Made in EU	ADDRESS:	Room 903, 9/F, C C Wu BLDG, 302-308 Hennessy Road, Wan Chai. HK

SIZE/THICKNESS: min./max. door width = 500mm-1800mm; door height = 700mm-3000mm; 42mm thickness
IMAGE/SAMPLE:

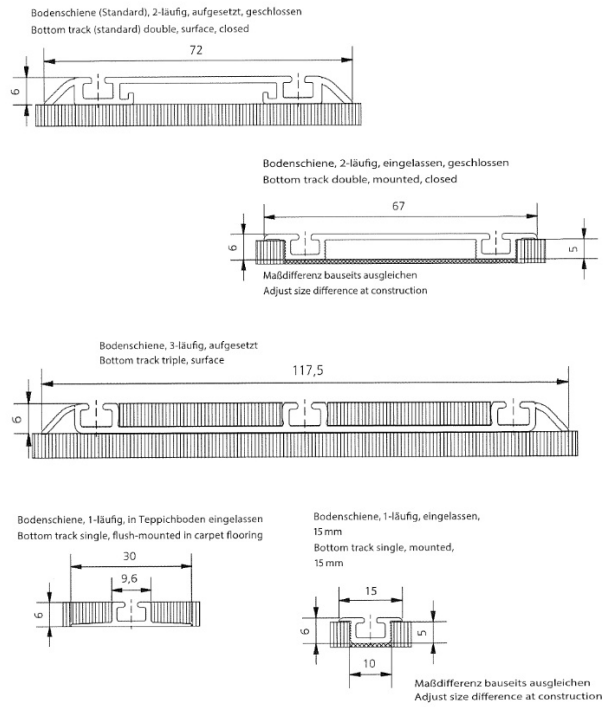


Supply sliding door with alu silver / light bronze / black matt aluminum frames (stiles);
 Panel (laminated, MFC, MDF) to be provided by others, maximum 10mm thickness,
 Panel (glass) to be provided by others, maximum 8mm thickness (equip with relevant gasket),
 and all necessary raumplus parts and other accessories as per Specification.

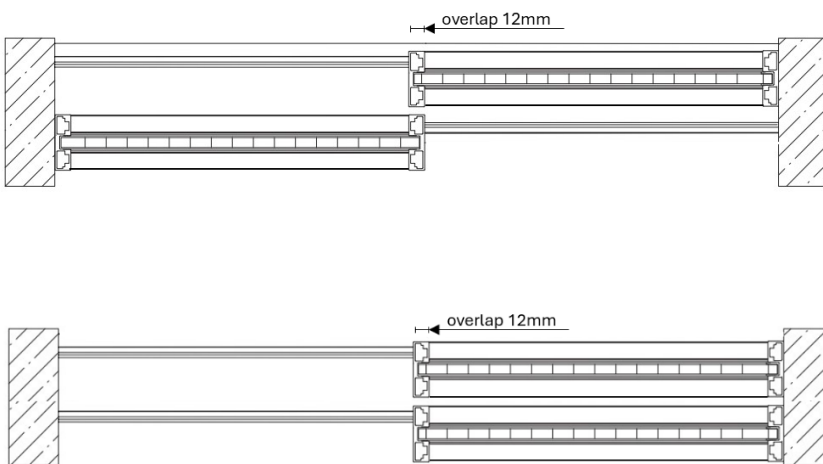
	Descriptions	Material Specifications	Country of Origin	
1	Brand	raumplus	Germany	
2	Model	S1200 Stile; square frame	Made in EU	
3	Top and bottom tracks	Anodised aluminum; light bronze; black matt powder coat	Made in EU	
4	Top and bottom rails	Anodised aluminum; light bronze; black matt powder coat	Made in EU	
5	S1200 Stile	Anodised aluminum; light bronze; black matt powder coat; front face = 12 mm side width = 42mm	Made in EU	
6	Panel	To be provided by Others	-	-
7	Bottom Roller	Steel and nylon	Made in EU	
8	SDB	Soft Closing Device; SDB Positioning	Made in EU	
9	Necessary raumplus component parts	Top Roller (left & right); Glass Gasket	Made in EU	
10	Optional raumplus component parts	Dividing Rail [vertical / horizontal]; Floating Handle; Handle Square 40115; Turning Bolt Lock S1200	Made in EU	



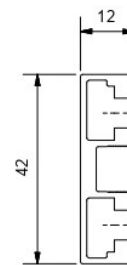
POSITION OF BOTTOM TRACK-42 SERIES [S1200]



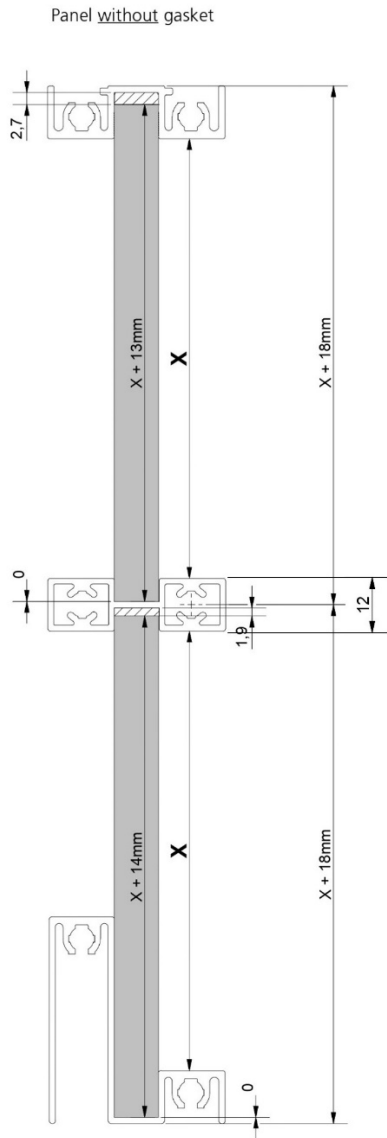
OVERVIEW OF BOTTOM TRACK – 42 SERIES



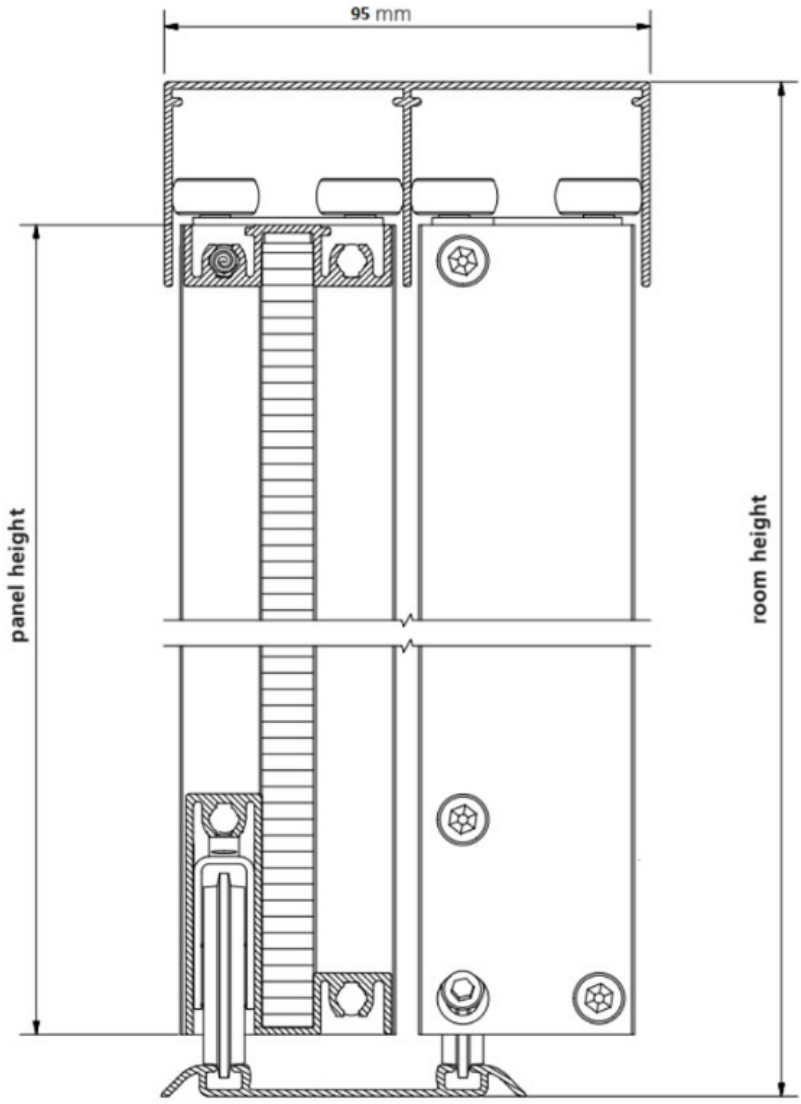
SLIDING DOOR OVERLAPPING



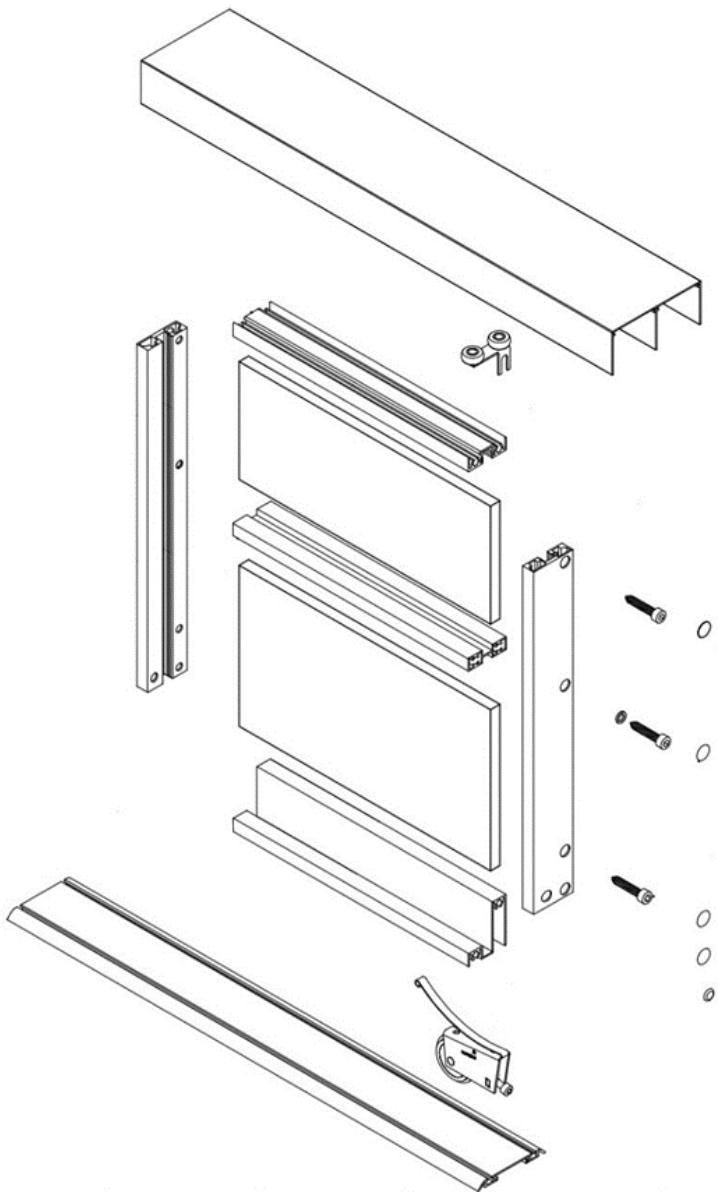
STILE – S1200 SERIES



DETAIL SECTION – S1200 DIVIDING RAIL



CEILING MOUNT PROVISIONAL



EXPLODED DRAWING – RAUMPLUS S1200 SERIES